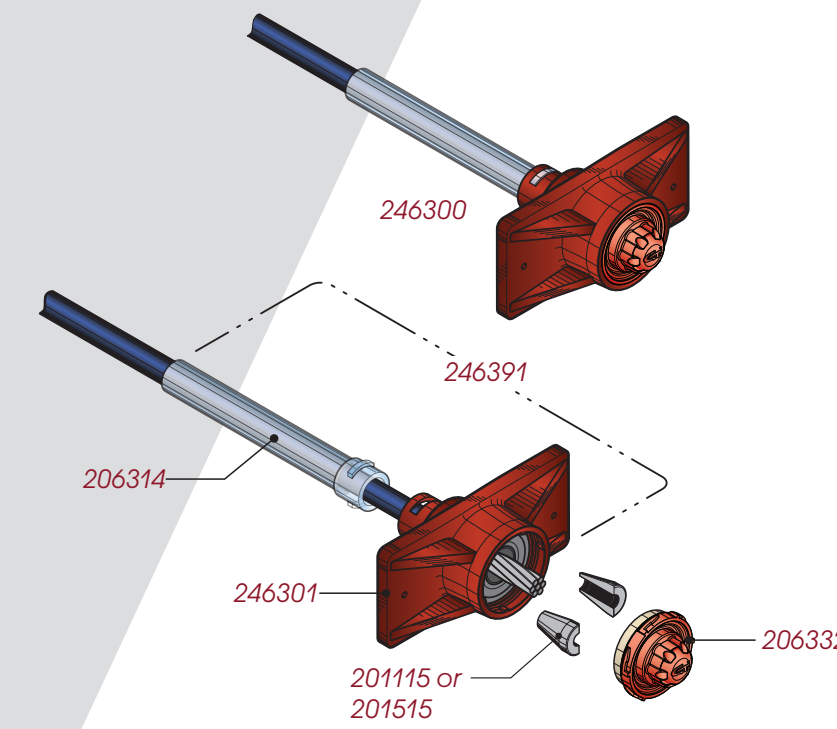




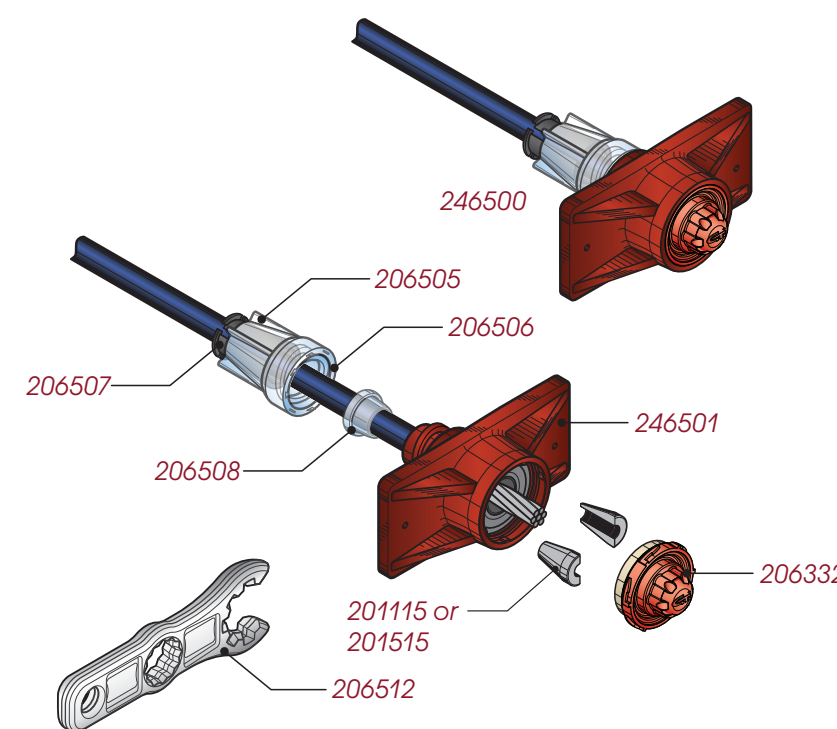
### GTI 0.5" Zero Void Anchorage Assembly Diagrams

#### GTI 0.5" Zero Void Fixed-End



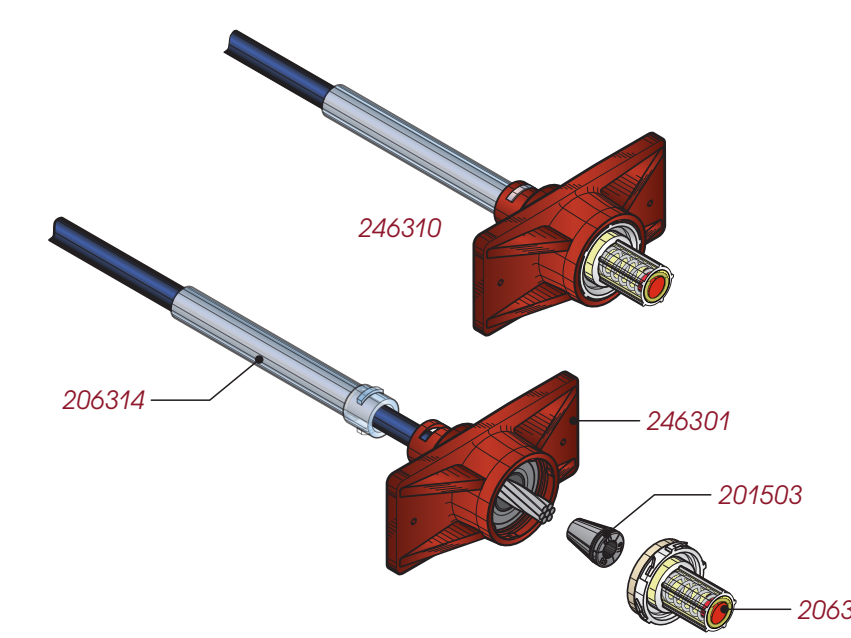
0.5" ZERO-VOID FIXED-END	
246300	.5" ZERO VOID ENCAPSULATION SET, D.E., SM1-05, including
246391	.5" ZERO VOID ENCAPSULATION & SEAL, SM1-05
246301	.5" ZERO VOID ENCAPSULATION, SM1-05
206314	.5" ZERO VOID SEAL, 6", TRANSPARENT
206332	.5" ZERO VOID CAP, DE WIGREASE
201115/201515	GTI S1-05 2-PIECE WEDGE, 1.2" LONG

#### GTI 0.5" Zero Void Fixed-End (Sheathing Lock)



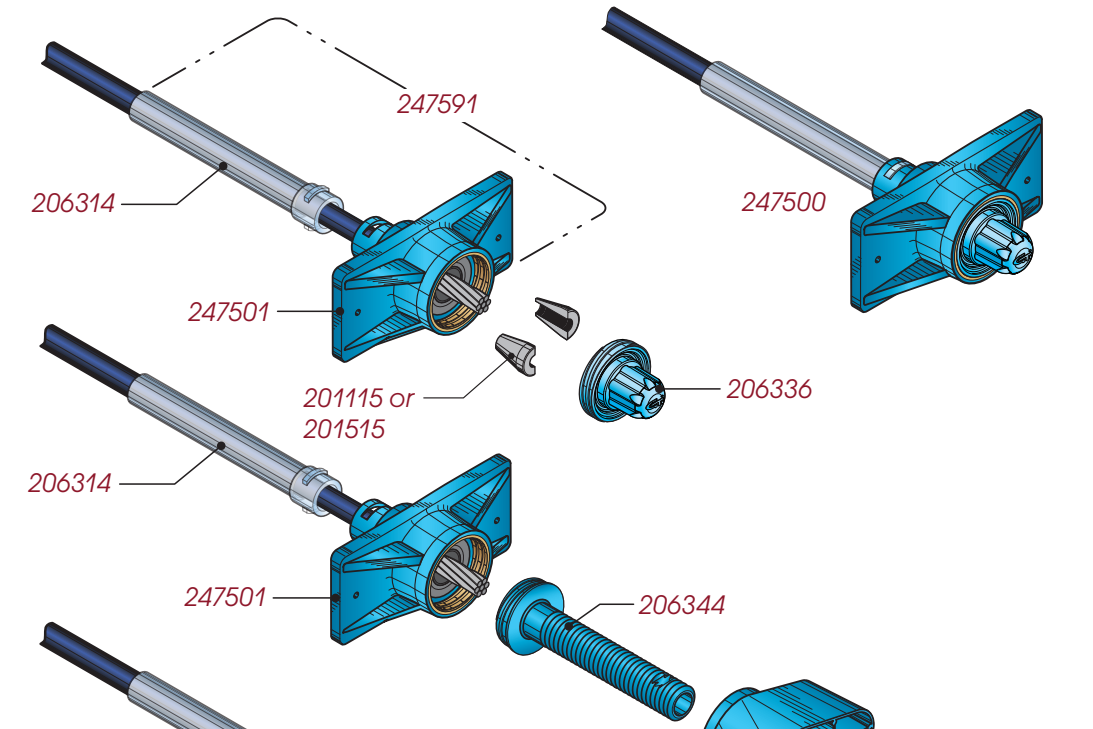
0.5" ZERO-VOID FIXED-END (SHEATHING LOCK)	
246500	.5" ZERO VOID ENCAPSULATION SET, SHEATHING LOCK, SM1-05
246501	.5" ZERO VOID ENCAPSULATION, SHEATHING LOCK, SM1-05
206332	.5" ZERO VOID CAP, DE WIGREASE
206505	.5" ZERO VOID SHEATHING LOCK CARTRIDGE
206506	.5" Z-VOID, SHEATHING LOCK CARTRIDGE BODY
206507	.5" Z-VOID, SHEATHING LOCK CARTRIDGE WEDGE
206508	.5" ZERO VOID SHEATHING LOCK CARTRIDGE GASKET
201115/201515	GTI S1-05 2-PIECE WEDGE, 1.2" LONG
206512	.5" Z-VOID, SHEATHING LOCK WRENCH

#### GTI 0.5" Zero Void Fixed-End (Spring-Loaded)



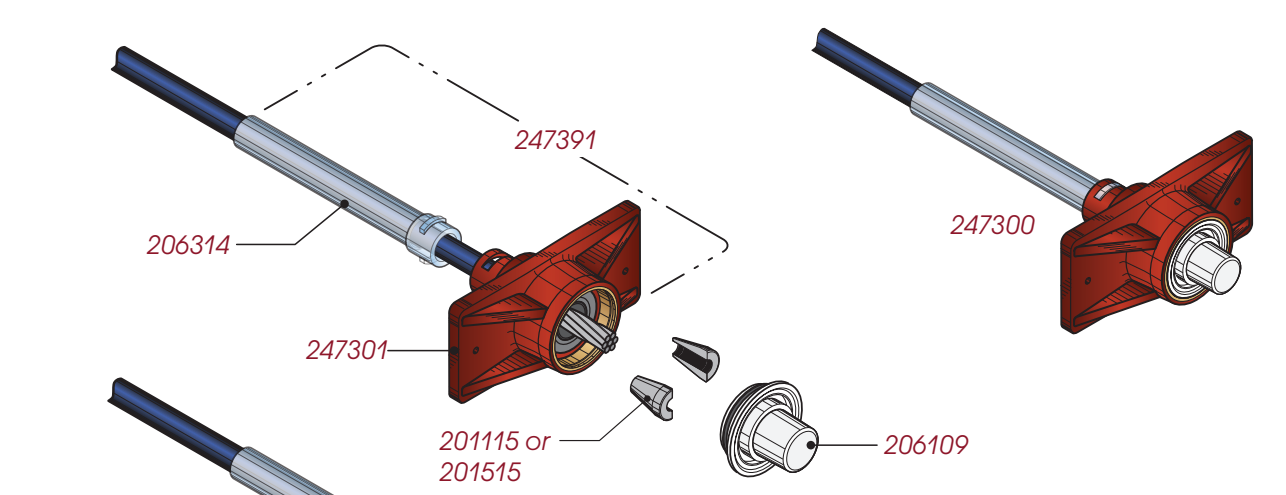
0.5" ZERO VOID FIXED-END (SPRING-LOADED)	
246310	.5" ZERO VOID FIXED-END (SPRING-LOADED), SM1-05
246301	.5" ZERO VOID ENCAPSULATION, SM1-05
206307	.5" ZERO VOID CAP, SPRING LOADED W/RED MARKER TAB/GREASE
206314	.5" ZERO VOID SEAL, 6", TRANSPARENT
201503	GTI S1-05 3-PIECE WEDGE WITH SPRING

#### GTI 0.5" Zero Void Stressing-End (Metal Ring - Threaded)



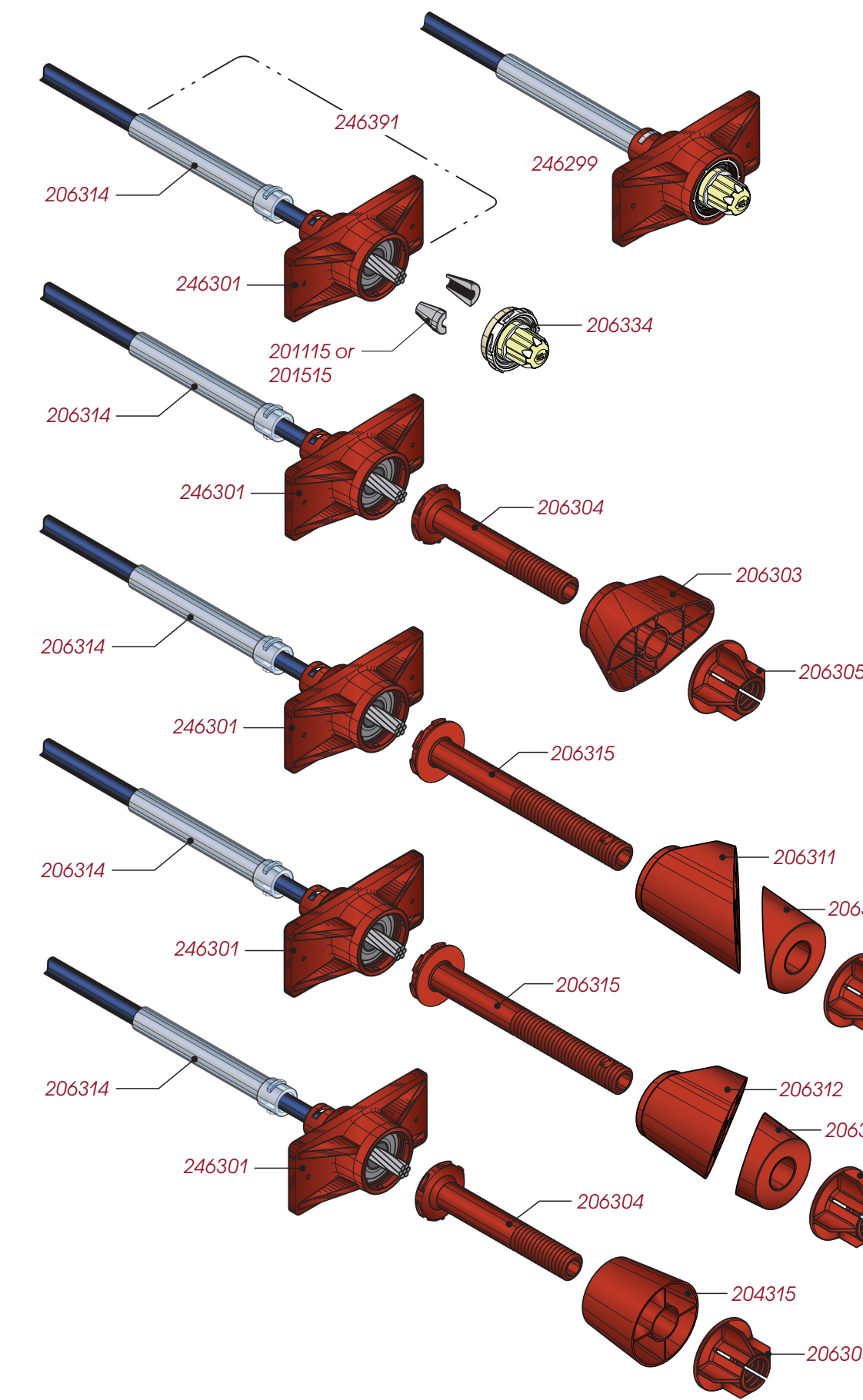
0.5" ZERO VOID STRESSING-END (METAL RING - THREADED)	
247500	.5" ZERO VOID ENCAPSULATION, METAL RING, THREADED, SET, SM1-05, including
247591	.5" ZERO VOID ENCAPSULATION, METAL RING, THREADED & SEAL, SM1-05
247501	.5" ZERO VOID ENCAPSULATION, METAL RING, THREADED, SM1-05
206314	.5" ZERO VOID SEAL, 6", TRANSPARENT
206336	.5" ZERO VOID LE CAP, THREADED WIGREASE
201115/201515	GTI S1-05 2-PIECE WEDGE, 1.2" LONG
0.5" ZERO VOID STRESSING-END POCKET FORMERS (METAL RING - THREADED) (NAIL-LESS SYSTEM)	
206345	.5" ZERO VOID LE NAILLESS POCKET FORMER, PLASMA, BLUE
206348	.5" ZERO VOID POCKET FORMER 45 DEG, PLASMA, BLUE
206326	.5" ZERO VOID POCKET FORMER 45 DEG, NUT SPACER
206349	.5" ZERO VOID POCKET FORMER 30 DEG, PLASMA, BLUE
206327	.5" ZERO VOID POCKET FORMER 30 DEG, NUT SPACER
204350	POCKET FORMER, SZV, TMR, T/PS, NO SHANK
204351	POCKET FORMER, SZV, TMR, T/PS, 30 DEG, NO SHANK
206327	.5" Z-VOID POCKET FORMER 30 DEG, NUT SPACER
204352	POCKET FORMER, SZV, TMR, T/PS, 45 DEG, NO SHANK
206326	.5" Z-VOID POCKET FORMER 45 DEG, NUT SPACER
Note: the above pocket formers require a mandrel and nut.	
206344	.5" Z-VOID LE NAILLESS POCKET FORMER, MANDREL, THREADED
206346	.5" Z-VOID LE NAILLESS POCKET FORMER, MANDREL, THREADED LONG
206305	.5" Z-VOID POCKET FORMER, NUT
0.5" ZERO VOID STRESSING-END POCKET FORMERS (METAL RING - THREADED)	
204347	POCKET FORMER, SZV, MR, T/PS, 7/8" SHANK
204341	POCKET FORMER, SZV, MR, T/PS, SHANK
204342	POCKET FORMER, SZV, TMR, T/PS, 30 DEG, SHANK
204343	POCKET FORMER, SZV, TMR, T/PS, 45 DEG, SHANK

#### GTI 0.5" Zero Void Stressing-End (Metal Ring)



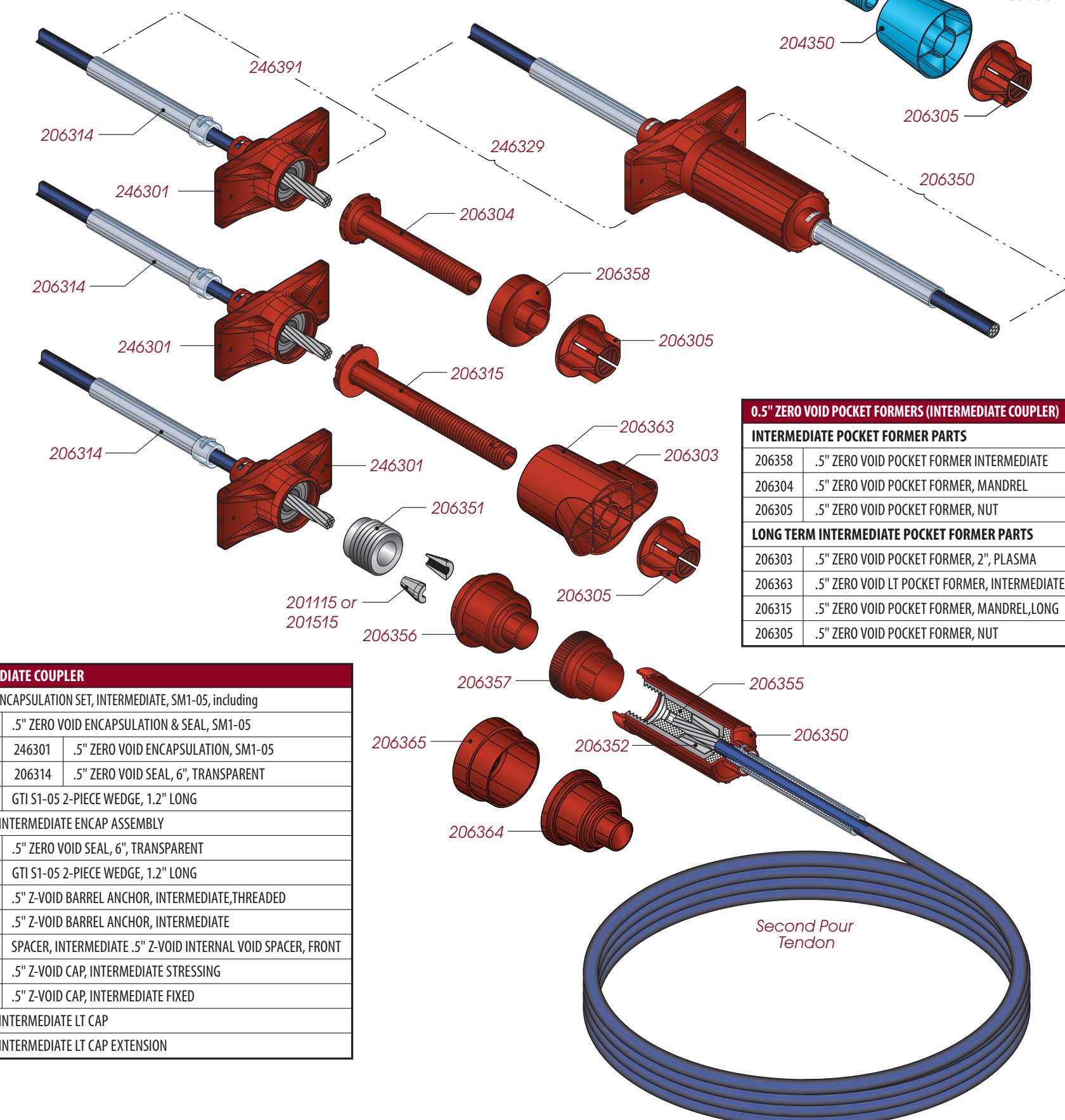
0.5" ZERO VOID STRESSING-END (METAL RING)	
247300	ZERO VOID ENCAPSULATION SET, METAL RING, SM1-05, including
247391	.5" ZERO VOID ENCAPSULATION, LE W/RING & SEAL, SM1-05
247301	.5" ZERO VOID ENCAPSULATION, LE, SM1-05
206314	.5" ZERO VOID SEAL, 6", TRANSPARENT
206109	CAP, LE/DE WIGREASE, CLEAR
201115/201515	GTI S1-05 2-PIECE WEDGE, 1.2" LONG
0.5" ZERO VOID STRESSING-END POCKET FORMERS (METAL RING)	
204347	POCKET FORMER, SZV, MR, T/PS, 7/8" SHANK
204331	POCKET FORMER, SZV, MR, T/PS, SHANK
204332	POCKET FORMER, SZV, MR, T/PS, 30 DEG, SHANK
204333	POCKET FORMER, SZV, MR, T/PS, 45 DEG, SHANK

#### GTI 0.5" Zero Void Stressing-End



0.5" ZERO VOID STRESSING-END	
246299	.5" ZERO VOID ENCAPSULATION SET, L.E., SM1-05, including
246391	.5" ZERO VOID ENCAPSULATION & SEAL, SM1-05
246301	.5" ZERO VOID ENCAPSULATION, SM1-05
206314	.5" ZERO VOID SEAL, 6", TRANSPARENT
206334	.5" ZERO VOID LE WIGREASE
201115/201515	GTI S1-05 2-PIECE WEDGE, 1.2" LONG
0.5" ZERO VOID STRESSING-END POCKET FORMERS (NAIL-LESS SYSTEM)	
206303	.5" ZERO VOID POCKET FORMER, 2", PLASMA
206311	.5" ZERO VOID POCKET FORMER 45 DEG, PLASMA
206326	.5" ZERO VOID POCKET FORMER 45 DEG, NUT SPACER
206312	.5" ZERO VOID POCKET FORMER 30 DEG, PLASMA
206327	.5" ZERO VOID POCKET FORMER 30 DEG, NUT SPACER
204315	POCKET FORMER, SZV, PS, NO SHANK
204316	POCKET FORMER, SZV, PS, 30 DEG, NO SHANK
206327	.5" Z-VOID POCKET FORMER 30 DEG, NUT SPACER
204317	POCKET FORMER, SZV, PS, 45 DEG, NO SHANK
206316	.5" Z-VOID POCKET FORMER 45 DEG, NUT SPACER
Note: the above pocket formers require a mandrel and nut.	
206304	.5" ZERO VOID FORMER, MANDREL
206315	.5" Z-VOID POCKET FORMER, MANDREL, LONG
206305	.5" Z-VOID POCKET FORMER, NUT
0.5" ZERO VOID STRESSING-END POCKET FORMERS	
204344	POCKET FORMER, SZV, PS, 7/8" SHANK
204321	POCKET FORMER, SZV, PS, SHANK
204322	POCKET FORMER, SZV, PS, 30 DEG, SHANK
204323	POCKET FORMER, SZV, PS, 45 DEG, SHANK

#### GTI 0.5" Zero Void Intermediate Coupler

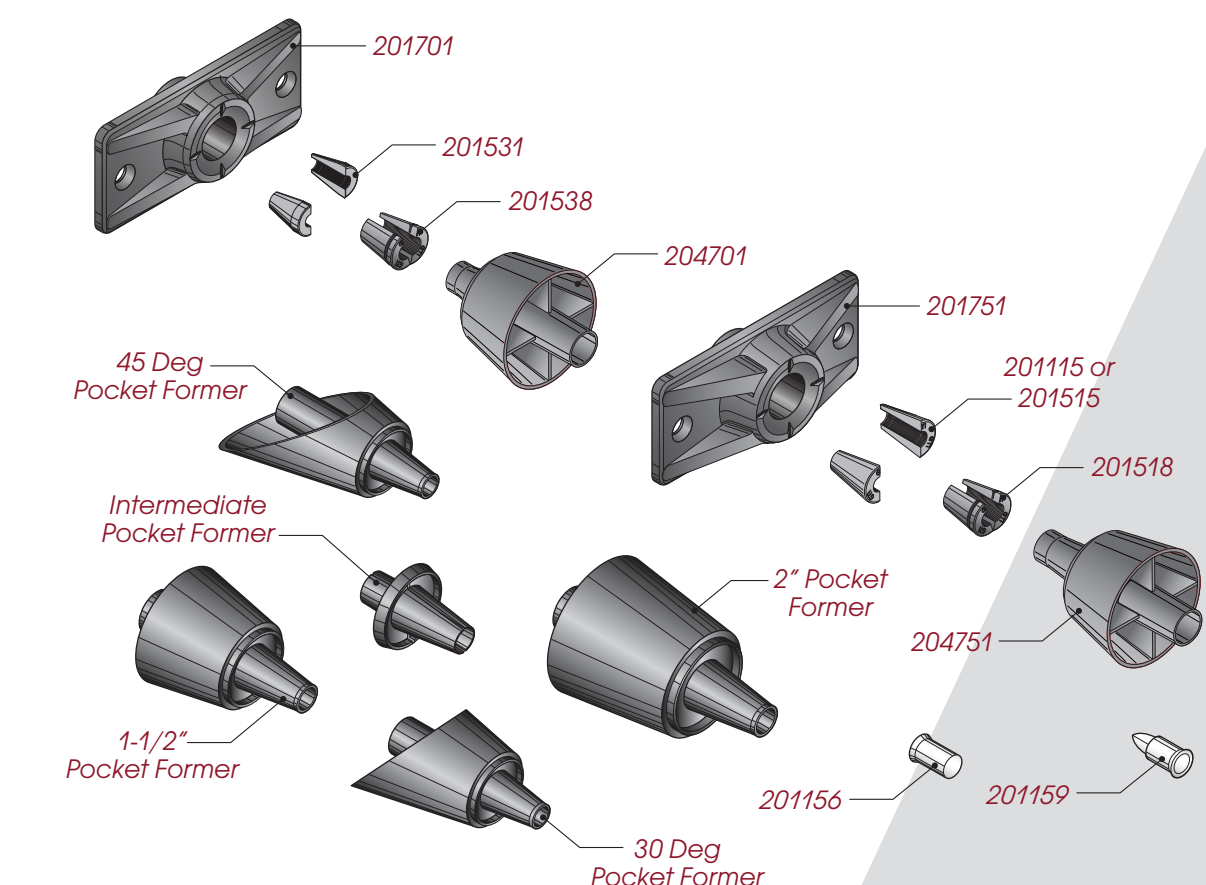


0.5" ZERO VOID INTERMEDIATE COUPLER	
246329	.5" ZERO VOID ENCAPSULATION SET, INTERMEDIATE, SM1-05, including
246391	.5" ZERO VOID ENCAPSULATION & SEAL, SM1-05
246301	.5" ZERO VOID ENCAPSULATION, SM1-05
206314	.5" ZERO VOID SEAL, 6", TRANSPARENT
201115/201515	GTI S1-05 2-PIECE WEDGE, 1.2" LONG
206350	.5" ZERO VOID INTERMEDIATE ENCAP ASSEMBLY
206314	.5" ZERO VOID SEAL, 6", TRANSPARENT
201515	GTI S1-05 2-PIECE WEDGE, 1.2" LONG
206351	.5" Z-VOID BARREL ANCHOR, INTERMEDIATE, THREADED
206352	.5" Z-VOID BARREL ANCHOR, INTERMEDIATE
206355	SPACER, INTERMEDIATE .5" Z-VOID INTERNAL VOID SPACER, FRONT
206356	.5" Z-VOID CAP, INTERMEDIATE STRESSING
206357	.5" Z-VOID CAP, INTERMEDIATE FIXED
206364	.5" ZERO VOID INTERMEDIATE LT CAP
206365	.5" ZERO VOID INTERMEDIATE LT CAP EXTENSION

0.5" ZERO VOID POCKET FORMERS (INTERMEDIATE COUPLER)	
INTERMEDIATE POCKET FORMER PARTS	
206358	.5" ZERO VOID POCKET FORMER INTERMEDIATE
206304	.5" ZERO VOID POCKET FORMER, MANDREL
206305	.5" ZERO VOID POCKET FORMER, NUT
LONG TERM INTERMEDIATE POCKET FORMER PARTS	
206303	.5" ZERO VOID POCKET FORMER, 2", PLASMA
206363	.5" ZERO VOID LT POCKET FORMER, INTERMEDIATE
206315	.5" ZERO VOID POCKET FORMER, MANDREL, LONG
206305	.5" ZERO VOID POCKET FORMER, NUT

#### GTI 0.5" Bare Anchorage System

0.5" GTI BARE ANCHORAGE SYSTEM	
GTI SC1-05 ANCHORAGE	
201700	GTI SC1-05 ANCHORAGE SET
201701	GTI SC1-05 ANCHOR
201531	GTI SC1-05, 2-PIECE WEDGE
204701	SC1-05 POCKET FORMER, 1.5"
204702	SC1-05 POCKET FORMER, 2.0"
204703	SC1-05 POCKET FORMER, 30 DEG
204704	SC1-05 POCKET FORMER, 45 DEG
204705	SC1-05 POCKET FORMER, INTERMEDIATE
GTI SM1-05 ANCHORAGE	
201750	GTI SM1-05 ANCHORAGE SET
201751	ANCHOR, GTI S1-05
201115/201515	GTI S1-05 2-PIECE WEDGE, 1.2" LONG
204751	SM1-05 POCKET FORMER, 1.5"
204752	SM1-05 POCKET FORMER, 2.0"
204753	SM1-05 POCKET FORMER, 30 DEG
204754	SM1-05 POCKET FORMER, 45 DEG
204755	SM1-05 POCKET FORMER, INTERMEDIATE
ACCESSORY COMPONENTS FOR SLAB-ON-GROUND	
201156	CABLE END PROTECTOR
201159	CABLE END SPACER



See [www.gti-usa.net/patents.shtml](http://www.gti-usa.net/patents.shtml) for a listing of many of the patents licensed to GTI, including patents that may cover one or more of the products identified.

13022 Trinity Dr. • P.O. Box 1503 • Stafford, Texas 77477 • Tel: (281) 240-0550 • Toll-free: (888) 255-0440 • Fax: (281) 240-0990 • sales@gti-usa.net • www.gti-usa.net